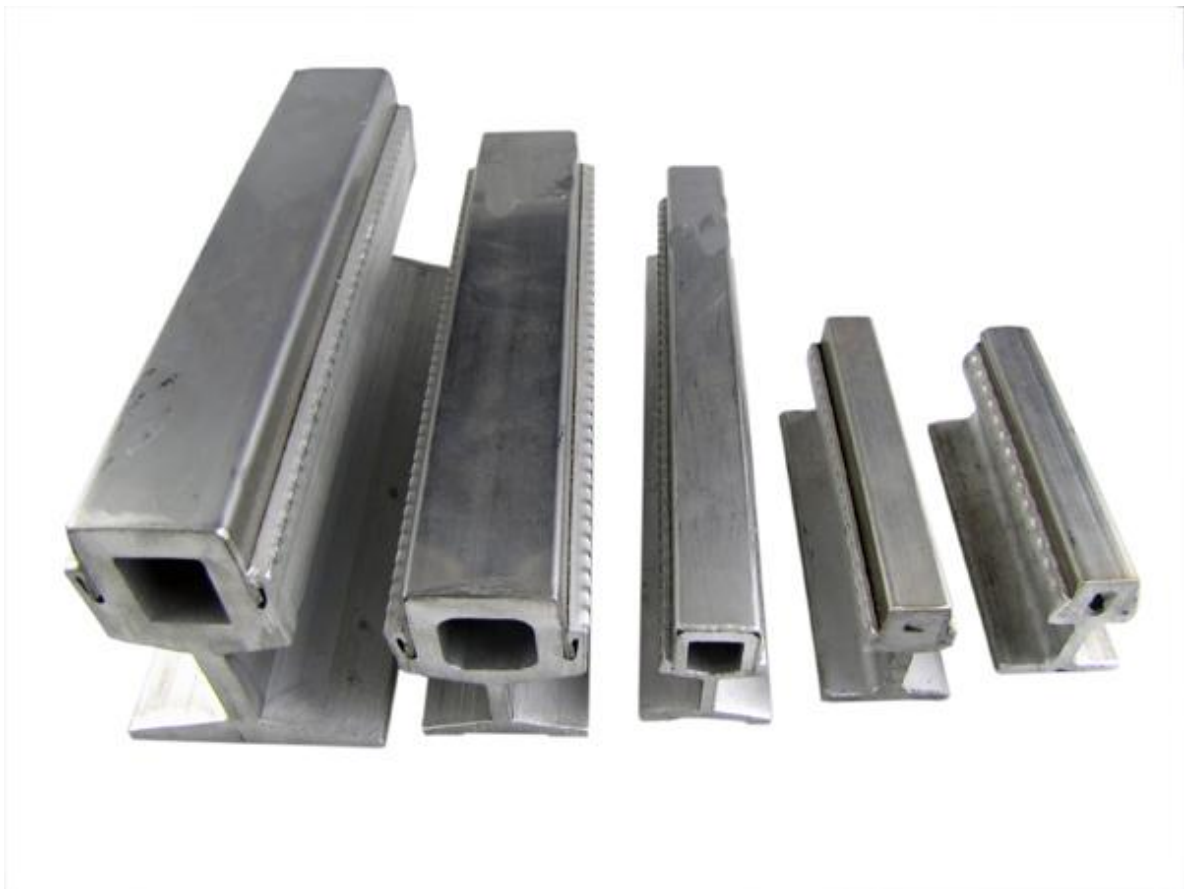


Klifting Industrial CO.,LTD.

KA Steel-Aluminum Rails

(680A -2900A)



Catalogue

Catalogue

Products Advantage.....	1
Applications.....	1
Instruction.....	1
Products.....	2
Conductor bar.....	2
Bare Bar with Stainless Steel Cap.....	3
Expansion Sections	3
Joints.....	4
Power joints.....	4
Power Feed Assembly.....	5
Hanger clamps with insulators.....	5
Anchor Clamps.....	6
Current collector Type and Specification.....	6
Typical installation diagram.....	7
Calculation.....	9
Contacts.....	11

Products Advantage

KA Stainless Steel/Aluminum Composite Conductor Rail System (6010A Aluminum bar)

Steel-Aluminum Rails easy to install, maintain, high availability, meet industry safety standards.

Steel-Aluminum Rails features:

- 1.Can supply power from one conductor bar system to many systems,can provide power input at any position;
- 2.Conductor bar extremely resistant,stainless steel surface corrosion-resistant;
- 3.With long life ,low contact resistance, access to reliable, easy to install and protect;
4. Suitable for large current work, can supply long distance;
5. Compact and simple structure, suitable for indoor and outdoor use

Applications

Steel mills, Coking plants, Gas works, Cement industries, Ship yards and Dockside enterprises.

Instruction



Products

➤ Conductor bar



Electrical Performance:

Standard (Black)	Target
Installation altitude height	≤2000m
Installation category	III
Around environment temperature	-40℃-150℃
Around environment humidity	≤95% Allow short-Cream
Pollution Level	IV level
Standard length	6m
Short time withstand current	20 times $I_e/1s$

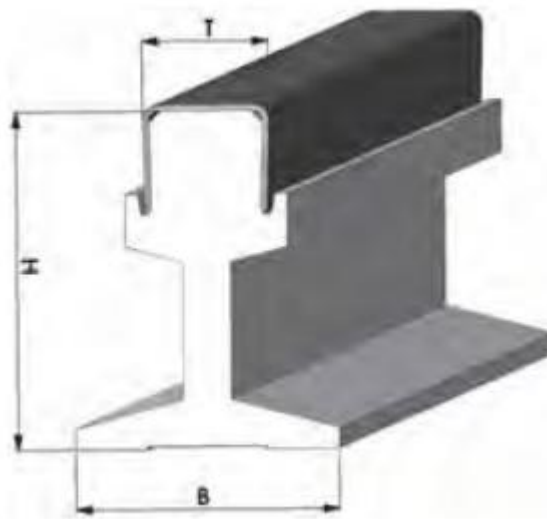
Product Type and Technical Data:

Type Part.No	Ratd current (100% Continue)	Cross-sectional area (mm ²)	DC Resistance (20℃ΩX10-6/m)	AC resistance (20℃ΩX10-6/m)	Weight(kg/m)
KAL-680/480	680	480	69.8	21.7	1.64
KAL-900/666	900	666	50.5	19.7	2.4
KAL-1100/832	1100	832	41.0	18.3	2.95
KAL-1350/986	1350	986	32.8	17.2	3.5
KAL-1600/1204	1600	1204	27.3	16.1	4.1
KAL-2000/1573	2000	1573	21.8	15.3	4.9
KAL-2300/1800	2300	1800	18.2	14.4	5.7
KAL-2600/2110	2600	2110	14.9	13.6	6.8
KAL-2900/2622	2900	2622	12.6	12.8	7.9

➤ Bare Bar with Stainless Steel Cap

Conductor bar (Bare Bar With Stainless Steel Cap) Unit length: 6m/Pcs

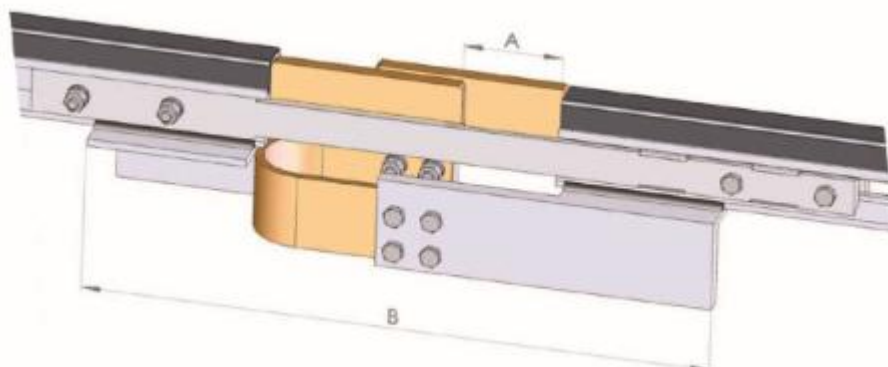
Rated Current	680A	900A	1100A	1350A	1600A	2000A	2300A	2600A	2900A
B	35	44	44	44	44	44	44	70	70
H	46	50	55	58	65	80	80	90	90
T	21	21	21	21	36	36	36	36	36
Part.No	9AL680	9AL900	9AL1100	9AL1350	9AL1600	9AL2000	9AL2300	9AL2600	9AL2900



➤ Expansion Sections

Unit length: 3m/Pcs

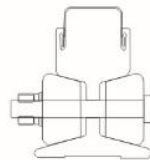
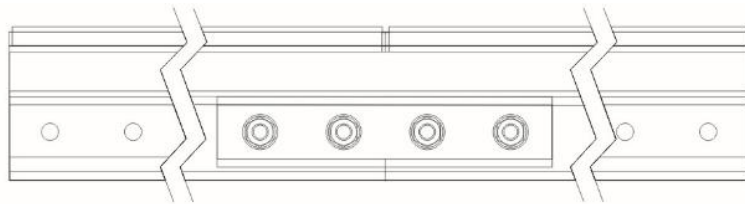
Type	9AL680	9AL900	9AL1100	9AL1350	9AL1600	9AL2000	9AL2300	9AL2600	9AL2900
B	400	580	580	580	580	580	580	580	580
A	90	180	180	180	180	180	180	180	180



➤ Joints

Type	9AL680	9AL900	9AL1100	9AL1350	9AL1600	9AL2000	9AL2300	9AL2600	9AL2900
Length L	200mm	200mm	200mm	200mm	200mm	200mm	200mm	200mm	200mm

There is should be 200mm distance between end of joints and hanger clamp,for the conductor bar expansion.



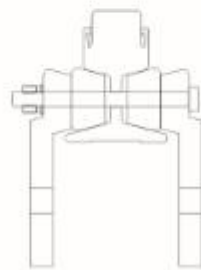
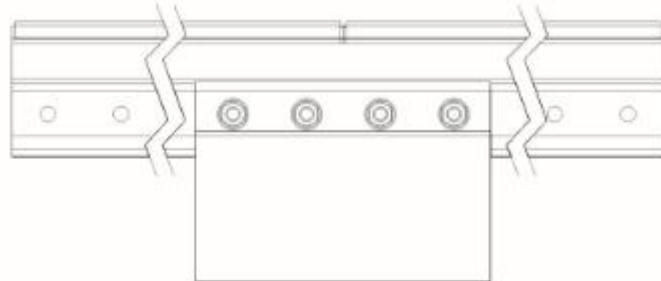
➤ Power joints

Type	9AL680	9AL900	9AL1100	9AL1350	9AL1600	9AL2000	9AL2300	9AL2600	9AL2900
Rated current A	1000	1000	1000	2000	2000	2000	3000	3000	3000



➤ Power Feed Assembly

Type	9AL680	9AL900	9AL1100	9AL1350	9AL1600	9AL2000	9AL2300	9AL2600	9AL2900
Rated Current A	1000	1000	2000	2000	2000	3000	3000	3000	3000



➤ Hanger clamps with insulators:

B	Spherical	Umbrella	3KV Silicon
35mm	9AL001	9AL101	9AL201
44mm	9AL002	9AL102	9AL202
70mm	9AL003	9AL202	9AL203



➤ Anchor Clamps

B	Part.No
35mm	9AL301
44mm	9AL302
70mm	9AL303



35mm



44mm



70mm

➤ Current collector Type and Specification

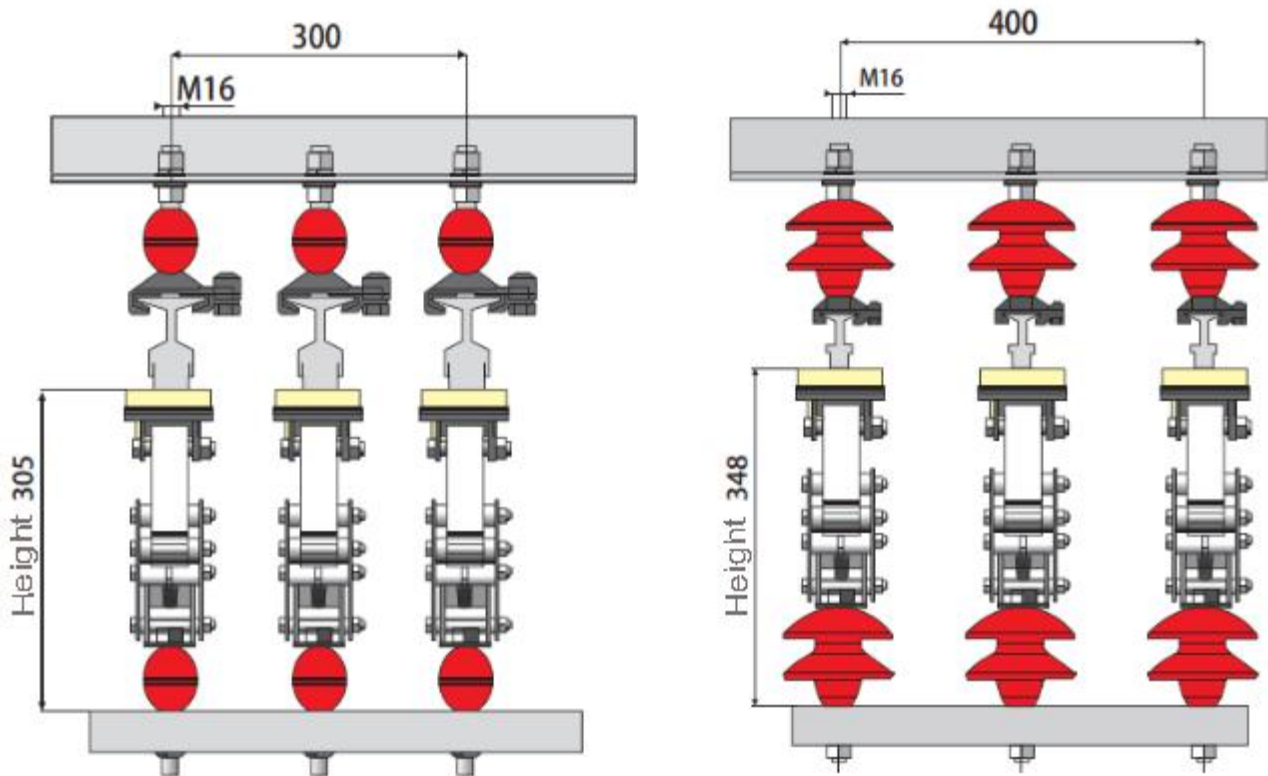


Type	Capacity (A)	Stroke shoes Dimension (mm)	Weight (KG)	Part.No
KAL400	400	100*150*10	11.82	9AL401
KAL400	400	100*150*10	12.2	9AL402
KAL800	800	100*150*15	14.68	9AL403
KAL800	800	140*150*15	15.56	9AL404



Type	Capacity (A)	Stroke shoes Dimension (mm)	Weight (KG)	Part.No
KAL400	400	100*150*10	9.62	9AL501
KAL400	400	100*150*10	10.03	9AL502
KAL800	800	100*150*15	11.28	9AL503
KAL800	800	140*150*15	12.56	9AL504

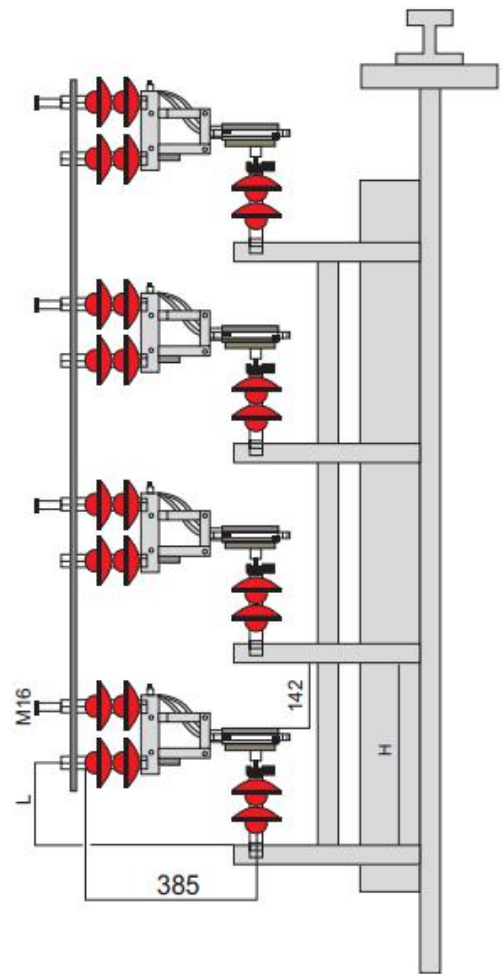
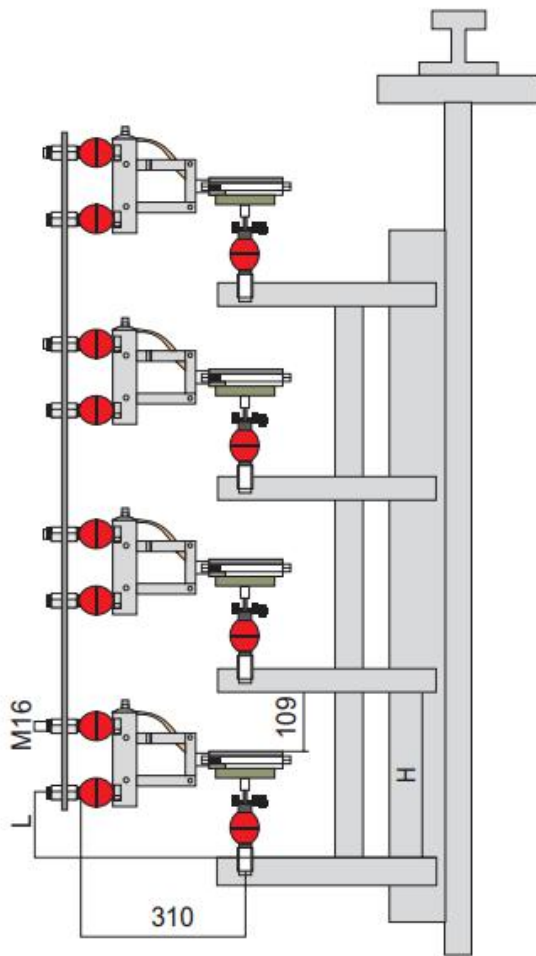
Typical installation diagram



Stroke 150mm Two Shoes

Amps	Type	H (mm)
680A	9AL680	450
900A	9AL900	455
1100A	9AL1100	460
1350A	9AL1350	465
1600A	9AL1600	475
2000A	9AL2000	490
2300A	9AL2300	490
2600A	9AL2600	505
2900A	9AL2900	505

Amps	Type	H (mm)
680A	9AL680	605
900A	9AL900	610
1100A	9AL1100	615
1350A	9AL1350	620
1600A	9AL1600	630
2000A	9AL2000	645
2300A	9AL2300	645
2600A	9AL2600	660
2900A	9AL2900	660



Amps	Type	L (mm)	H (mm)
680A	9AL680	120	310
900A	9AL900	125	315
1100A	9AL1100	130	320
1350A	9AL1350	135	325
1600A	9AL1600	145	335
2000A	9AL2000	160	350
2300A	9AL2300	160	350
2600A	9AL2600	175	365
2900A	9AL2900	175	365

Amps	Type	L (mm)	H (mm)
680A	9AL680	183	404
900A	9AL900	188	409
1100A	9AL1100	193	414
1350A	9AL1350	198	419
1600A	9AL1600	208	429
2000A	9AL2000	223	444
2300A	9AL2300	223	444
2600A	9AL2600	238	459
2900A	9AL2900	238	459

Calculation

Please offer these information if you need our products.

Company Name: _____ Contact
Project: _____ Address:
E-mail: _____ Project:
Telephone: _____ Fax:
Date:

1. Type of crane/machine to be electrified:
2. Voltage: _____ Volts ~/=: _____ Phases: c/s:
3. Length of conductor system:
4. Number of conductors required: _____ power lines: _____ control lines: _____ neutral (ground):
5. Indoor: _____ Outdoor:
6. Special site conditions (humidity, dust, chemical influence etc.):
7. Temperature conditions: _____ °C min., _____ °C max.
8. Type of conductors preferably wanted:
9. Number and position of feeder points:
10. Mounting position envisaged:
(prints and sketches should be submitted whenever obtainable)
11. Number of cranes / machines fed from the one system:
12. Ampere load of each crane / machine:
13. Other pertinent data:

For curved tracks, breaks in system etc. please submit prints and sketches.

Motor (please mark run simultaneously and at the same time start the motor)	Crane 1						
	P/(KW)	Rated current			Starting current		
		A	COSφ ^N	%ED	A	COSφ ^A	Start Method
Main Hoisting							
Aux. Hoisting							
Main Traverse							
Aux. Traverse							
Main Travel							
Aux. Travel							
Slewing							
Luffing and any other Service							
The type of motor : K:Squirrel-cage motors; S:Slip-ring motors; F:Inverter motor							
Motor (please mark run simultaneously and at the same time start the motor)	Crane 2						
	P/(KW)	Rated current			Starting current		
		A	COSφ ^N	%ED	A	COSφ ^A	Start Method
Main Hoisting							
Aux. Hoisting							
Main Traverse							
Aux. Traverse							
Main Travel							
Aux. Travel							
Slewing							
Luffing and any other Service							
The type of motor : K:Squirrel-cage motors; S:Slip-ring motors; F:Inverter motor							

Contacts

Klifting Industrial CO.,LTD.

Baoding Zhongze I/E Co.,Ltd. (Exclusive sales)

ADD: ROOM 206, INNOVATION CENTER BUILDING, NO.3188, NORTH HENGXIANG STREET,
BAODING , HEBEI , CHINA

Tel: 0086-186-0332-3110

Fax: 0086-312-315-2365

Website: www.klifting.com

For further information of KA Steel-Aluminum Rails, please contact us in the above ways.

We commit ourselves to constant improvement of our design and processing of the products.

We keep the right of perfecting the instruction book and the product design to achieve the goal.

It's important to select the suit Safe Conductor Bar for each application. Otherwise it will cause serious consequences , such as property damage or personal injury.